

the original **Claustrophobia**

THANK YOU FOR PURCHASING THE CLAUSTROPHOBIA EFFECT! SIMPLY FOLLOW THE STEPS BELOW TO EASILY CREATE WHAT IS SURE TO BE ONE THE MOST TALKED ABOUT ROOMS IN YOUR ATTRACTION.

Effect Includes:

- (2) Pre-fabricated, Flame Retardant fabric panels
- (2) Industrial 3-speed air mover units

Materials Needed:

- 1"x3", 1"x4", 2"x 3" or 2"x4" boards (either of these can be used).
- 1 1/4" Screws
- #10 Flat Washers



Frequently asked questions:

What size does my hallway need to be?

CLAUSTROPHOBIA was designed for a 48" wide hallway. Since the material stretches once inflated, this effect will still be effective in a wider hallway. Should your hallway be narrower than 40", the material may need to be pinned or hemmed back (but this is usually not the case).

What will happen if the material is ripped or punctured?

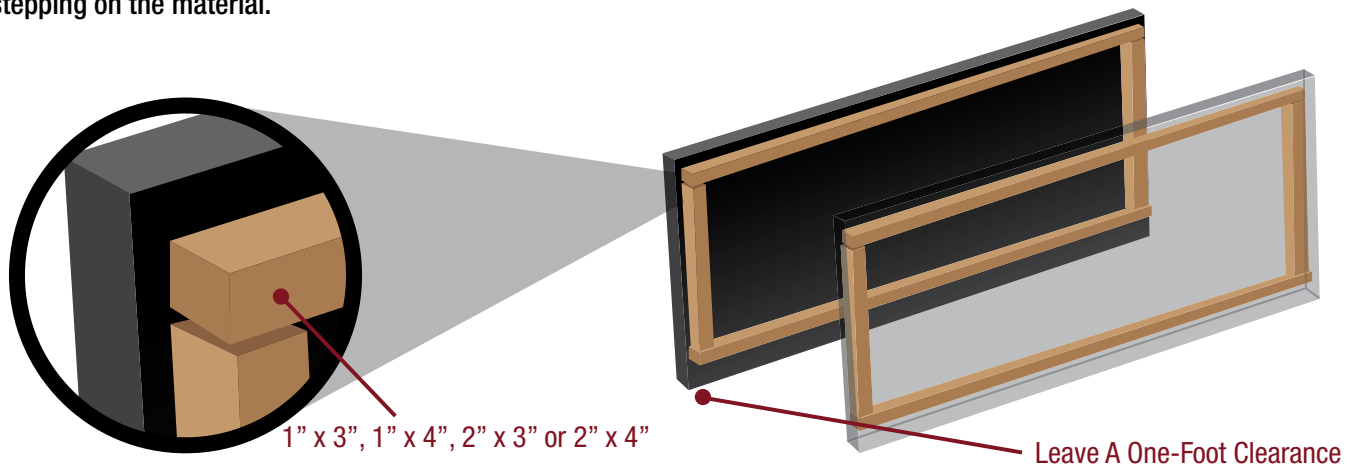
CLAUSTROPHOBIA fabric panels are constructed from an extremely durable interwoven nylon material with a flame retardant urethane coating. Should a small puncture or tear occur in the fabric panel the effect will still continue to perform. To repair the fabric panels simply sew the material.

Questions and Contact Information

Should you have any questions or require additional technical support please contact Scare Products:

Step 1

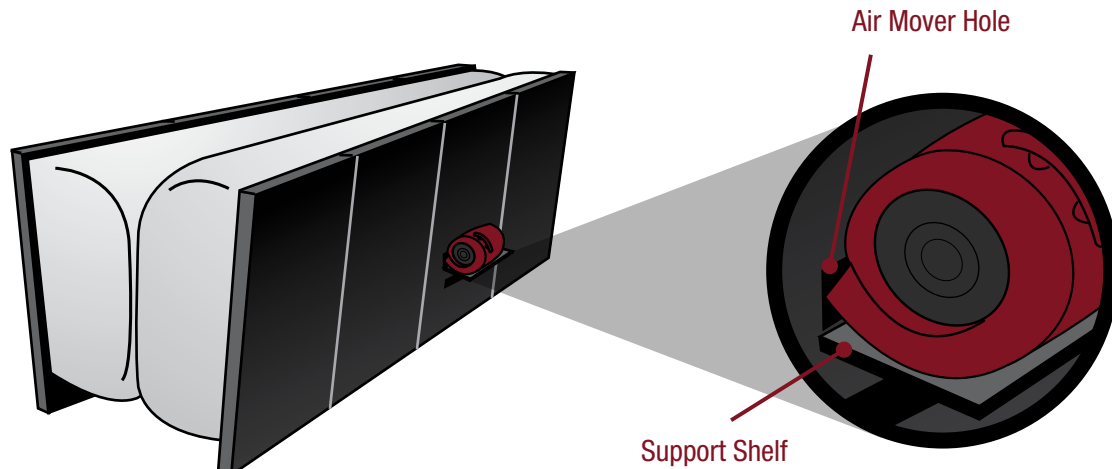
On the wall where you wish to implement your CLAUSTROPHOBIA effect, create a framework out of the 1" x 3", 1" x 4", 2" x 3" or 2" x 4" boards (either of these can be used). The framework should be the same size as the set purchased. Attach the boards to your existing wall. *Note: if you are attaching your framework to a concrete or plaster wall attach the boards with Tapcons or other specialty fasteners. It is important to leave a one-foot clearance off the floor to avoid a potential tripping hazard from guests stepping on the material.



Step 2

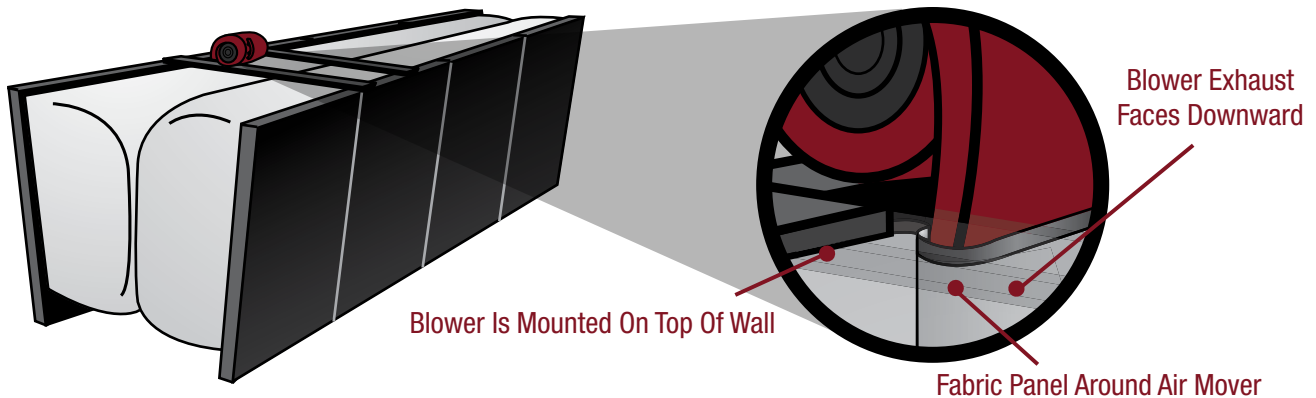
2A: Mounting Air Mover From Behind the Wall

Cut out a hole in your wall slightly bigger than the exhaust opening of the air mover unit. Be sure the hole is located within the frame panel on the opposite side of the wall (off the floor and centrally located when possible). You will need to either build a support or place a shelf for the air mover unit to rest on.



2B: Mounting Air Mover Top Of Wall

The air mover unit will need to be supported as it rests above the wall. Exhaust should sit flush against the wall and blow straight down.



Step 3

Attach one of the pre-fabricated fabric panels to the frame that was installed in STEP #1. There should be a 1 1/4" screw and #10 flat washer placed through each grommet along the entire webbing. *If air mover unit is mounted on top of wall, along the top of the fabric panel, remove only as many screws and washers as necessary so you can insert the exhaust opening of the air mover unit.

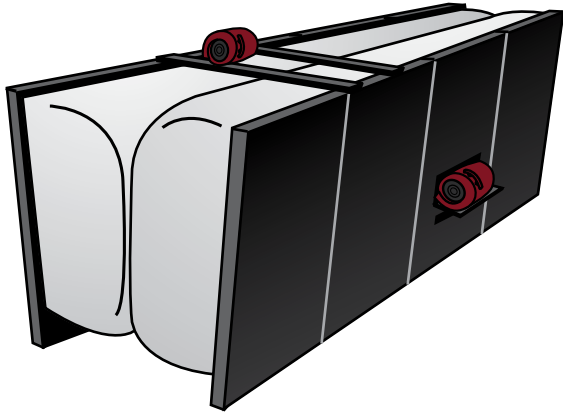
Step 4

Go back and repeat steps 1 through 4 on the opposite wall in your hallway (making sure & your panels will line up).

Step 5

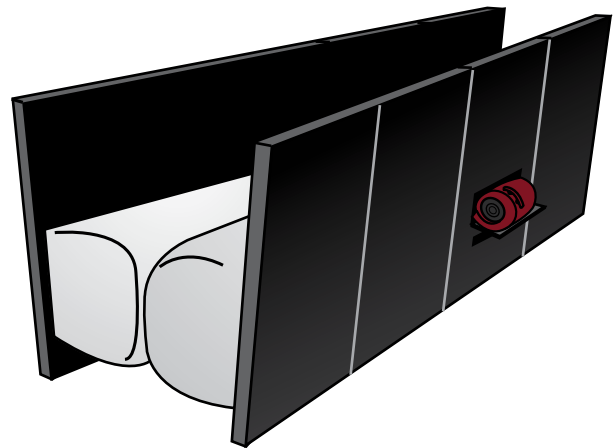
You are now ready to turn on your air mover units (make sure they are plugged in first). Start out on "LOW" speed and increase if needed. Normally, "LOW" provides more than enough power to inflate the fabric panel.

WANT MORE SCARE? CHECK OUT SCAREPRODUCTS.COM AND EXPLORE ALL OF THE CLAUSTROPHOBIA EXPERIENCES. CLAUSTROPHOBIA ACCESSORIES ARE ALSO AVAILABLE.



the original
Claustrophobia

Claustrophobia
Junior



Claustrophobia
Experiences