

Claustrophobia Ceiling

THANK YOU FOR PURCHASING THE CLAUSTROPHOBIA CEILING EFFECT! SIMPLY FOLLOW THE STEPS BELOW TO EASILY CREATE WHAT IS SURE TO BE ONE THE MOST TALKED ABOUT ROOMS IN YOUR ATTRACTION.

Effect Includes:

- (2) Pre-fabricated, Flame Retardant fabric panels
- (1) Industrial 3-speed air mover unit

Materials Needed:

- 2"x 2", 2"x 3" or 2"x4" boards (either of these can be used).
- 1 1/4" Screws
- #10 Flat Washers



Frequently asked questions:

What size does my hallway need to be?

CLAUSTROPHOBIA CEILING was designed for a 48" wide hallway. Should your hallway be narrower than 48", the material may need to be pinned or hemmed back (but this is usually not the case). Should your hallway be greater than 48" wide you may need to build out from your existing so the material has something to attach to.

What will happen if the material is ripped or punctured?

CLAUSTROPHOBIA fabric panels are constructed from an extremely durable inter-woven nylon material with a flame retardant urethane coating. Should a small puncture or tear occur in the fabric panel the effect will still continue to perform. To repair the fabric panels simply sew the material.

Questions and Contact Information

Should you have any questions or require additional technical support please contact Scare Products:

Step 1

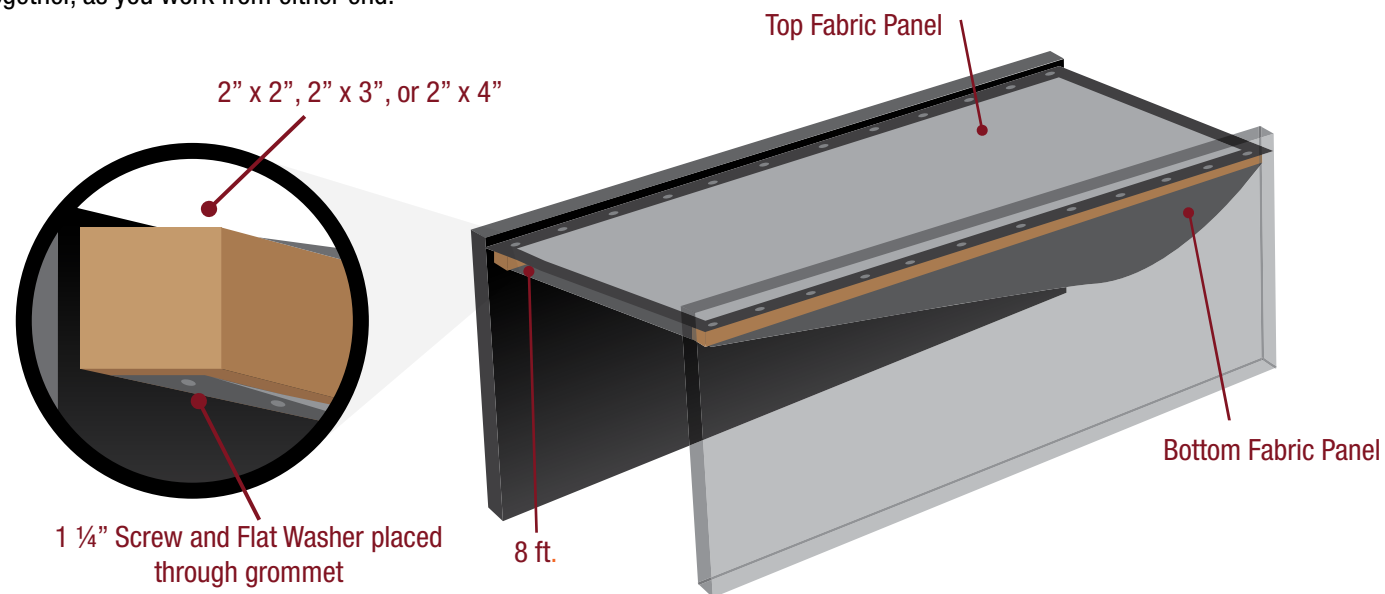
In the hallway where you wish to implement your CLAUSTROPHOBIA CEILING effect, snap a level, horizontal chalk line on each wall Eight (8) feet off of the floor down the length of the hallway. Eight (8') feet off of the floor is the recommended height to secure the panels to the walls. The CLAUSTROPHOBIA CEILING can be mounted lower but it is not recommended to mount it any lower than 6'8" off of the floor. Attach boards out of the 2"x2", 2"x3" or 2"x4" boards (either of these can be used) to the walls following the chalk line.

NOTE:

If you are attaching your boards to concrete or plaster walls attach the boards with Tapcons or other specialty fasteners.

Step 2

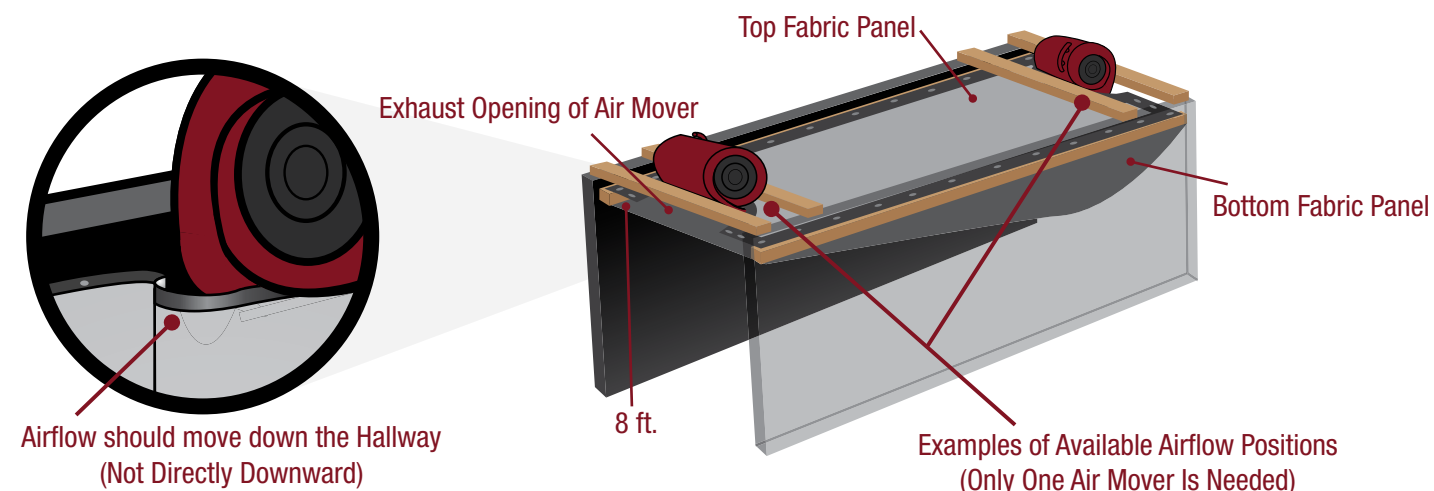
Attach the bottom gusseted pre-fabricated fabric panel to the bottom of the boards that were installed in STEP #1. There should be a 1 1/4" screw and flat washers placed through each grommet along the entire webbing. Secure the lower and upper panels together, as you work from either end.



Step 3

Along the top of the fabric panel, remove only as many screws and washers as necessary so you can insert the exhaust opening of the air mover unit. The air mover unit will need to be supported as it rests above the wall. The air mover can be placed anywhere along the length or breadth of the panel.

Mounting Air Mover From Above the Wall



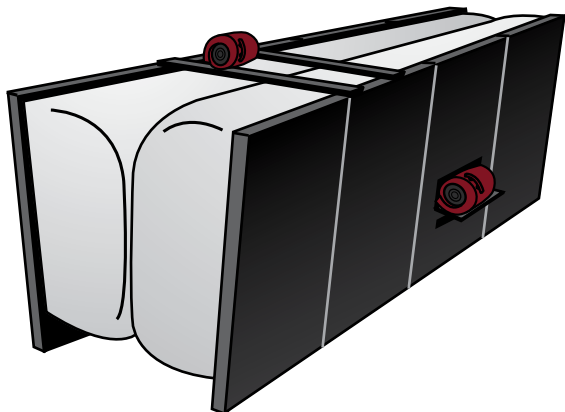
NOTE:

Be sure to leave ample clearance for airflow for the air mover fans. Restricted airflow will cause the air mover unit to overheat and burn out the motor.

Step 4

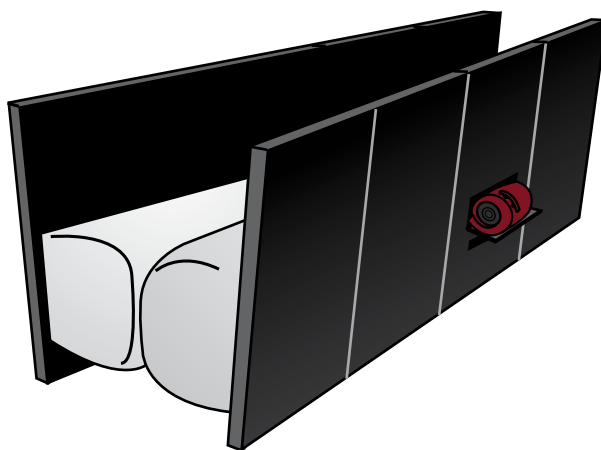
You are now ready to turn on your air mover unit (make sure they are plugged in first). Start out on "LOW" speed and increase if needed. Normally, "LOW" provides more than enough power to inflate the fabric panel.

WANT MORE SCARE? CHECK OUT SCAREPRODUCTS.COM AND EXPLORE ALL OF THE CLAUSTROPHOBIA EXPERIENCES. CLAUSTROPHOBIA ACCESSORIES ARE ALSO AVAILABLE.



the original
Claustrophobia

Claustrophobia
Junior



Claustrophobia
Experiences